



VD6 FEED DISPENSER

For Ø60 mm system, with bottom flap

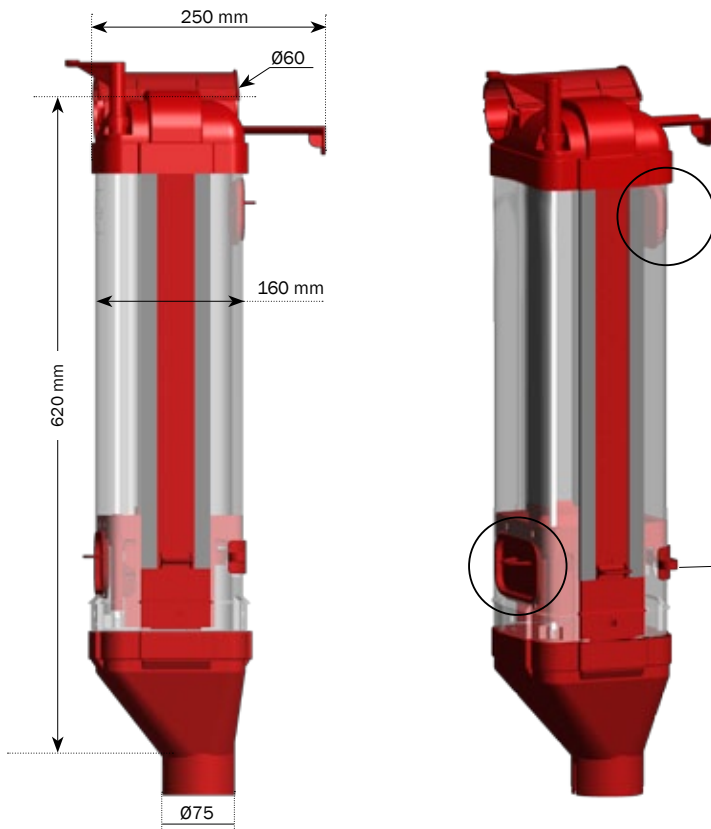


- Capacity up to 6 l
- Feed amount can be adjusted even with feed in the dispenser
- 2 inspections lids
- Extra lock function
- Bottom hopper can be mounted in 4 positions
- No bridging
- Simple design
- Competitive price

| VD6 FEED DISPENSER |

Plastic feed dispenser for 60 mm system with capacity up to 6 liter

New feed dispenser with our well-known release system with flap. The system can release feed with minimum force. Simple design, but at the same time good functionality and a competitive price.



The release system is combined with a slide allowing adjustment of the feed amount even when having feed in the dispenser.

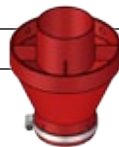
The feed dispenser has two inspection lids: at the top and the bottom. The top lid allows easy additional nutritional supplements or medication as well as cleaning. The bottom lid is located under the bottom flap and makes the feed dispenser extremely easy to clean.

The feed dispenser has an extra lock function which makes it possible to exclude a single specific dispenser from feeding.

The bottom part of the feed dispenser can be mounted in four positions/directions.

VD6 PLASTIC FEED DISPENSER WITH BOTTOM FLAP

For 60 mm system	0222-660
Hopper for 76 mm feed downpipe, complete set	91810



Capacity: max 6 l
 Feed outlet: Ø75 mm
 Weight (assembled): 1,924 kg

Subject to changes in materials and design is reserved.

B-1038-GB



ACO FUNKI A/S
 Kirkevænget 5
 DK-7400 Herning

T. +45 9711 9600
 www.acofunki.com
 www.egebjerg.com



FUNKI | EGEBJERG